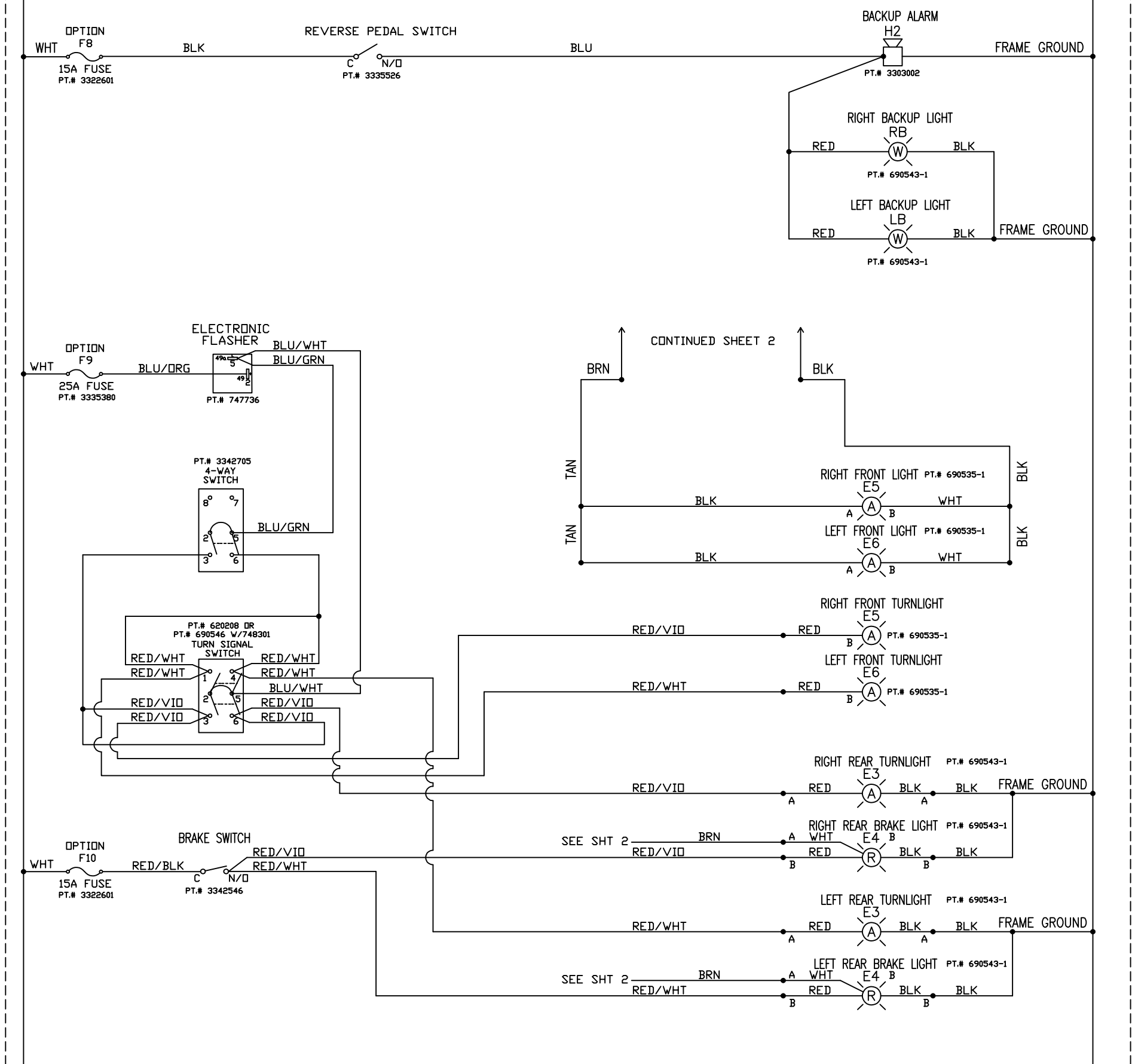


AM7D/6X LED LIGHTING

WIRING FOR TURN, BRAKE, 4-WAY FLASHERS, BACKUP LIGHTS & ALARM



REV	ECN	DATE	DESCRIPTION	BY	ELECTRICAL DESIGN ENGINEER J.HUGHES	CAD BY JDH	DATE 07/12/00	TITLE SCHEMATIC-ELECTRICAL 6X/7D	PART NUMBER 3338222	REVISION F	PAGE NUMBER 4 OF 4
C	150371	08/06/18	UPDATED IGN SW, R2 RELAY & OPTIONS	KHH	Minuteman 14N845 U.S.ROUTE 20 PowerBoss PINGREE GROVE, IL 60140						
D	150450	11/13/18	UPDATED DUST SUPPRESSION OPTION & PT.#S	KHH							
E	151498	10/09/20	ADDED TURN/4-WAY/FLASHERS OPTION & PT.#S	KHH							
F	151660	04/01/21	CHANGE INSTRUMENT GAUGE	KHH							

CONFIDENTIAL
 THIS DRAWING AND ALL INFORMATION CONTAINED HEREIN ARE THE EXCLUSIVE PROPERTY OF MINUTEMAN INTERNATIONAL, INC. THIS DRAWING IS NOT TO BE COPIED OR OTHERWISE REPRODUCED WITHOUT EXPRESSED WRITTEN PERMISSION OF MINUTEMAN INTERNATIONAL, INC. IN ADDITION, THIS DRAWING MUST BE RETURNED UPON REQUEST. FURTHER, ALL INFORMATION CONTAINED HEREIN MUST BE MAINTAINED CONFIDENTIAL.